

BULL 2/4W - 4/4W

T R A C T O R



Chassis

In steel plate, arc welded, form a rigid load bearing structure. The particular structure permit a perfect access to all the components

Traction unit

Made of expressly studied differential to obtain reliability and silence. Moved by a motor of high performance and length.

In the model 4/4W the motor, A.C. type, is provided with an encoder and a thermal valve that are in contact with the electronic control system. Rear axle is connected to the frame through rods and the chassis rests on the

axle through rubbers bumpers.

Drive place

It is created to give an excellent comfort is provided with a suspended chair with belts. The desk board have a work hour meter, the battery charge indicator and possible faults. The equipment is completed with a control direction lever, start key, light switch, horn bottom.

Steering

It is mechanical with steering gear box, light and precise steering. The steer control the anterior wheels and obtain a very narrows u-turn aisle.

Wheels

Four big superelastic wheels assure life and grip without decrease comfort.

Electric system

Principally provided with electronic control that together with a special motor grants to the tractor power at all speeds, good maximum speed, movements control, descend speed control, braking energy recovery, counter current .

Safety devices

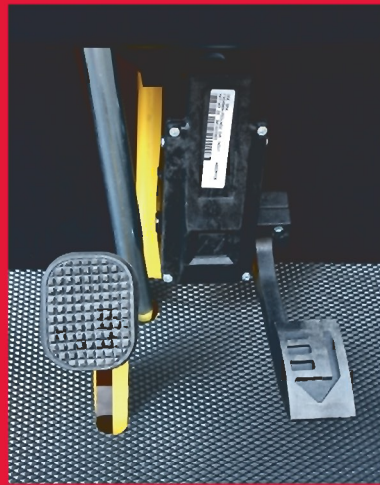
The tractors complies with actual prevention rules with regards to components, performances and stability.



DEC spa - via Caduti sul Lavoro, 20 - 41100 MODENA - Italy
tel. +39 059 373222 - fax +39 059 374199
www.dec-modena.com - info@dec-modena.com

New address: via Omero - 41100 MODENA - Italy

BULL 2/4W - 4/4W TRACTOR



CHARACTERISTICS

	U.	BULL 2/4W	BULL 4/4W
Manufacturer	DEC		
Model	BULL		
Platform loading cap.	Nominal capacity	kg	----
Pull capacity	Pull nominal capacity	kg	2000 4000
Power type	Electric/endothermic		electric electric
Control type	Pedestrian/seated		seated seated
Tyres	Pn=pneum. Se=superelastic		Pn - SE Pn - SE
Wheels	N.front/rear - x drive	n.	2x / 2 2x / 2
Platform dimen.	L x B (length.x width)	mm	----

DIMENSIONS

Platform height	h 6 = unload clearance	mm	----	----
Overall dimensions	L = length	mm	1600	1600
	B = width	mm	960	960
	h 3 = foot level	mm	380	380
	h 5 = seat height	mm	820	820
	h 4 = steering wheel height	mm	1160	1160
Turning radius	h 1 = cabin height	mm	1960	1960
	R 1 = front min. external	mm	1700	1700
	R 2 = rear min.external	mm	1300	1300
Aisle width	R 3 = front min.internal	mm	350	350
	A = 180° turn	mm	3400	3400
Tow hook high	s = hook center	mm	240-380-520	240-380-520

PERFORMANCE

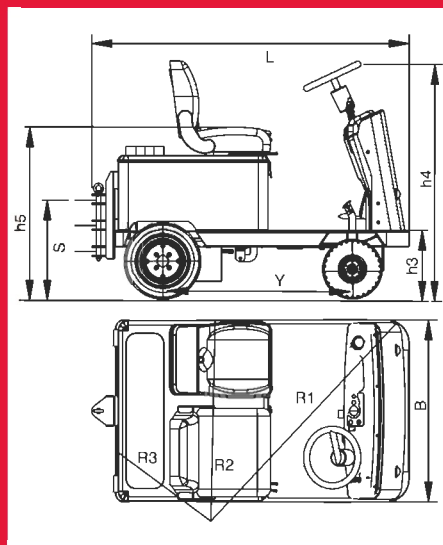
Speed	Without / load	km/h	12/6	14/7
Drowbar pull	Continuative work 60'	N	900	1800
Drowbar pull	Work for 5' in plane	N	1500	3000
Gradeability	Without / load	%	10/5	12/6
Weight	With battery	kg	660	750
Axle loads	Front / rear	kg	180/420	200/450

TRACTION

Tyres	Front diameter / width	mm	312/116	312/116
	Rear diameter / width	mm	414/121	414/121
Wheel base	y = center	mm	1170	1170
Tread	Centre of tires front / rear	mm	710	710
Ground clearance	Lowest point	mm	240	240
	Centre of wheelbase	mm	240	240
Service brake	Mech./ hydraulic/electronic		hydr.elect/post	hydr.elect/post
	Braking axle number	n.	1	1
Parcking brake	Mech./ hydraulic/electronic		mech.	mech.
Suspensions	Springs / shock absorber		shock absorber	shock absorber

PROPULSION

Battery	Type		reinforced	reinforced
	Capacity	V/Ah	24/250	36/240
	Weight	kg	240	320
Electric motor	Translation, power S 2 = 60'	kw	2	3,5 A.C.
	Power steering	kw	----	----
Electric motor	Electronic chopper A.C.		ZAPI	A.C.ZAPI
Direction	Mechanic/electrich		mech.	mech.
Speed gear	-----		Chopper	Chopper
Transmission	Mechanic / hydraulic		Mech.	Mech.
Tow hook	Manual / automatic		Manual	Manual
Autonomy	Unload distance covered	h	30	30



www.dec-modena.com

DEALER